

48V100AH power supply

(Users should read the instructions carefully before using them.)

Power specification

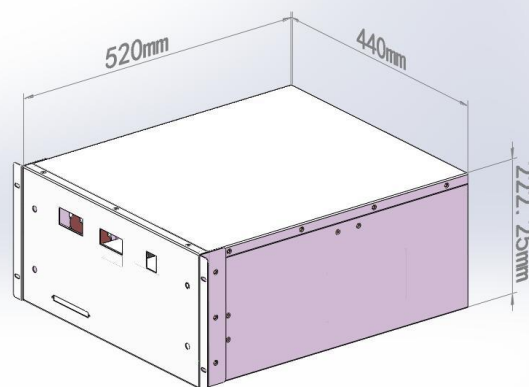
1. Battery pack

This product is made of single-core 32700 lithium iron phosphate batteries in series and parallel(16s16p). Batteries are insulated by epoxy panels with iron case.BMS inside.

The battery characteristics are shown in the table below.:

Pile Index 参数	Rated Capacity 标称容量	100Ah
	Nominal Voltage 额定电压	48V
	Max. Charge Voltage 最大充电电压	58.4V±0.2V
	Recommend Charge current 推荐充电电流	20A
	Max. Charge current 最大充电电流	100A
	Discharge cut-off voltage 放电截止电压	40V
	Charge method 充电方法	CC/CV (恒流恒压)
	Continuous Working Current 持续工作电流	100A
	Peck current (1 second) 峰值电流 (1秒)	200A
	Cycle life 循环寿命	2000times(DOD80%)
	Dimension 外形尺寸 (L×W×H)	(520±1) x (440±1) x (222.25±1) mm
Operating Temperature 适用温度	Charge 充电	0℃~45℃; 32°F~113°F
	Discharge 放电	-20℃~60℃; -4°F~149°F
	Storage 储存	-10℃~35℃; 14°F~95°F

The product schematic diagram is as follows:



48V100AH
16S17P



- 1: Display
- 2: Service port
- 3: Air switch
- 4: Discharge/charge port
- 5: Handle

Discharge port:Anderson(175A) (Female and male will match for you)



2. Protective plate

2.1 Dimension of protective plate

The appearance of the protective panel is shown in the figure.:



2.2 protection panel parameters:

	Description	Specification	Unit	Remarks
Discharge	Continue discharge current	100	A	
	Peck current	200	A	
Charge	Charge voltage	58.4	V	
	Charge current	100 (MAX)	A	
Over charge protection	Over charge detect voltage	3.9 ± 0.05	V	
	over charge protection delay	1	S	
	over charge release voltage	3.8 ± 0.05	V	
Balance	Balance detect Voltage	3.6	V	
	Balance release voltage	3.6	V	
	Balance current	35 ± 5	mA	
Over discharge protection	Over discharge detect voltage	2.0 ± 0.1	V	
	Over discharge detect delay	20	mS	
	Over discharge release voltage	2.0 ± 0.1	V	
Over current protection	Over current detect voltage	/		
	Over current detect delay	100	MS	

	Over current protection current	200±50	A	as required
	Over current protection release condition	Off load		
Short Circuit protection	Short Circuit protection condition	Short circuit of external load		
	Short circuit detect delay	250	uS	
	Short circuit protection release condition	Off load		
Temp Protect				No
Inner Resistance	Main Circuit Conduct Inner resistance	≤20	mΩ	
Self Consumption	Working current	≤100	uA	
	Sleeping current (when i n discharge)	≤20	uA	
Working Temp	Temp range	-20/+70	°C	

Packing: wooden box

